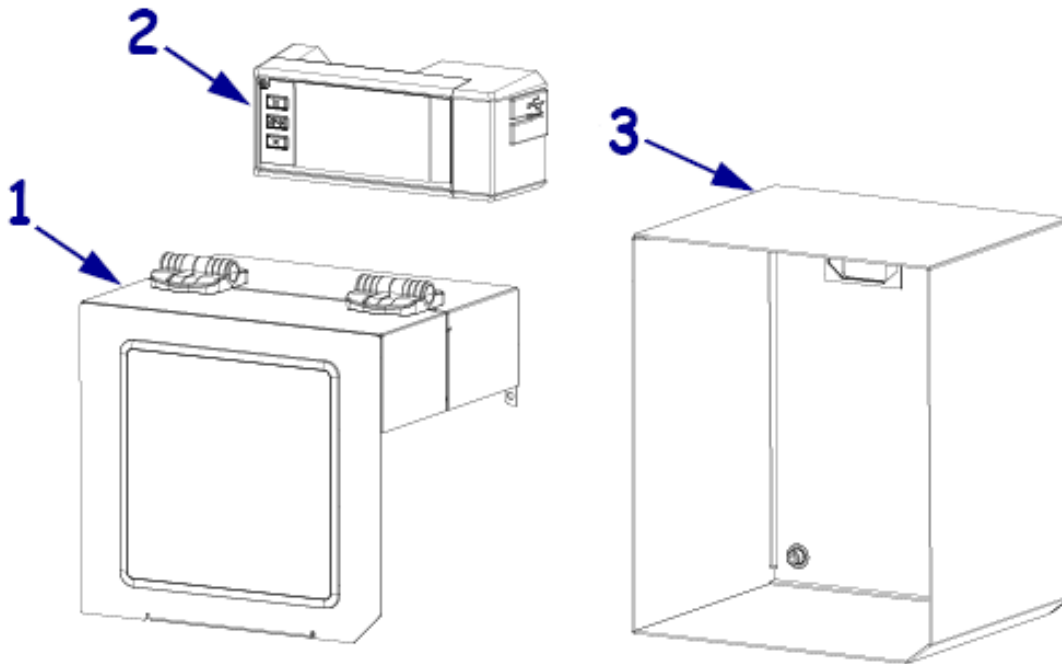
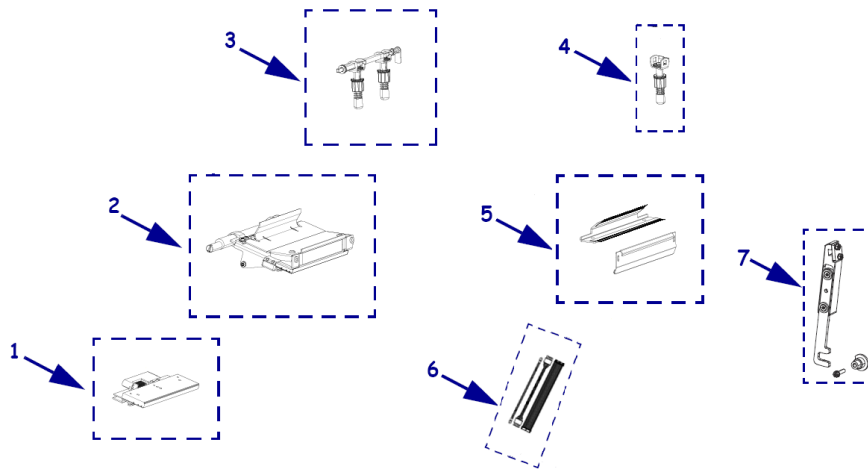


**Outer Casing**

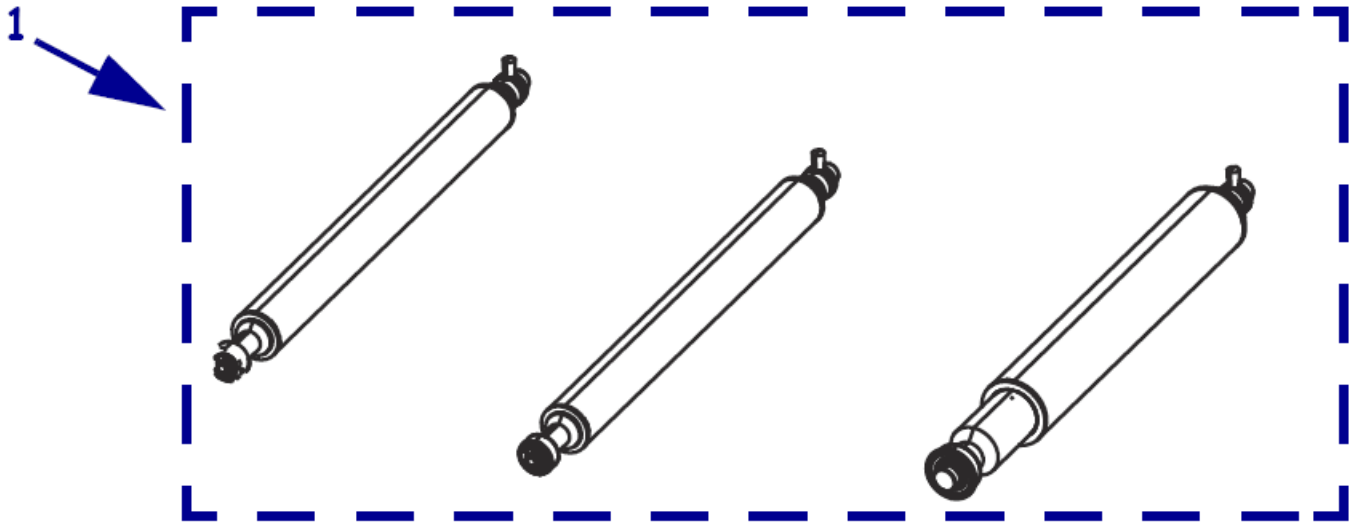


Item Number	Description	Part Number	Quantity
1	Media Cover ZE511 RH (includes window and hinges)	P1112750-001	1
1	Media Cover ZE511 LH (includes window and hinges)	P1112750-002	1
1	Media Cover ZE521 RH (includes window and hinges)	P1112750-003	1
1	Media Cover ZE521 LH (includes window and hinges)	P1112750-004	1
	Window for Media Cover ZE511 ZE521 RH & LH	P1046696-080	1
	Hinges for Media Cover ZE511 ZE521 RH & LH	P1046696-081	2
2	Control Panel ZE511 ZE521 RH & LH (includes cable)	P1112750-005	1
	Covers for the Control Panel, Qty of 3, ZE511 ZE521 RH & LH	P1112750-076	3
	Hardware to Enable Deported Control Panel ZE511 ZE521 RH & LH	P1112750-006	1
3	Electronics Cover ZE511 ZE521 RH (includes long screws)	P1112750-007	1
3	Electronics Cover ZE511 ZE521 LH (includes long screws)	P1112750-008	1
	Long Screws for the Electronics Cover (Qty of 4) ZE511 ZE521 RH & LH	P1046696-085	4

**Print Mechanism**


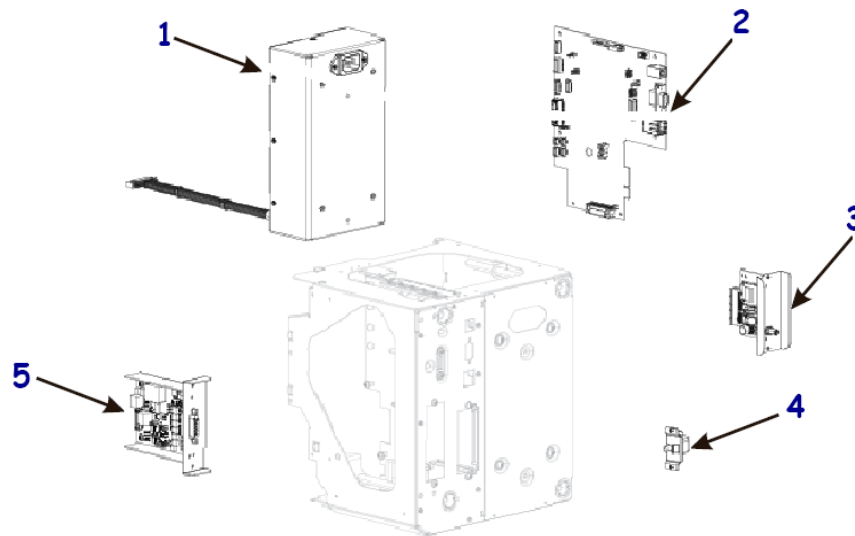
Item Number	Description	Part Number	Quantity
1	Printhead 203 dpi ZE511 RH & LH	P1112750-009	1
1	Printhead 300 dpi ZE511 RH & LH	P1112750-010	1
1	Printhead 600 dpi ZE511 RH & LH. This item can also be used to convert a 300 dpi ZE511 to 600 dpi	P1112750-011	1
1	Printhead 203 dpi ZE521 RH & LH	P1112750-012	1
1	Printhead 300 dpi ZE521 RH & LH	P1112750-013	1
	Convert 203 dpi to 300 dpi ZE511 RH & LH	P1112750-014	1
	Convert 300 dpi to 203 dpi ZE511 RH & LH	P1112750-015	1
	Convert 203 dpi to 300 dpi ZE521 RH & LH	P1112750-017	1
	Convert 300 dpi to 203 dpi ZE521 RH & LH	P1112750-018	1
2	Print Mechanism ZE511 RH	P1112750-030	1
2	Print Mechanism ZE511 LH	P1112750-031	1
2	Print Mechanism ZE521 RH	P1112750-032	1
2	Print Mechanism ZE521 LH	P1112750-033	1
3	Pivot Bar and Toggle Assemblies ZE511 RH & LH	P1112750-023	1
3	Pivot Bar and Toggle Assemblies ZE521 RH & LH	P1112750-024	1
4	Toggle Assemblies ZE511 ZE521 RH & LH	P1112750-025	2
	Ruler for Toggle Position, Qty of 3, ZE511 RH	P1112750-026	3
	Ruler for Toggle Position, Qty of 3, ZE511 LH	P1112750-027	3
	Ruler for Toggle Position, Qty of 3, ZE521 RH	P1112750-028	3
	Ruler for Toggle Position, Qty of 3, ZE521 LH	P1112750-029	3
5	Ribbon Strip Plate & Ribbon Static Brush ZE511 RH & LH	P1112750-034	1
5	Ribbon Strip Plate & Ribbon Static Brush ZE521 RH & LH	P1112750-035	1
6	Cables for Printhead (power, data, ground) ZE511 ZE521 RH & LH	P1112750-038	1
	PCBA for the Printhead Interface Adapter ZE511 RH & LH	P1112750-036	1
	PCBA for the Printhead Interface Adapter ZE521 RH & LH	P1112750-037	1
7	Latch for Print Mechanism ZE511 ZE521 RH & LH	P1046696-008	1
	Ground Contact for Print Mechanism ZE511 ZE521 RH & LH	P1046696-107	1

**Platen, Pinch and Peel Rollers**



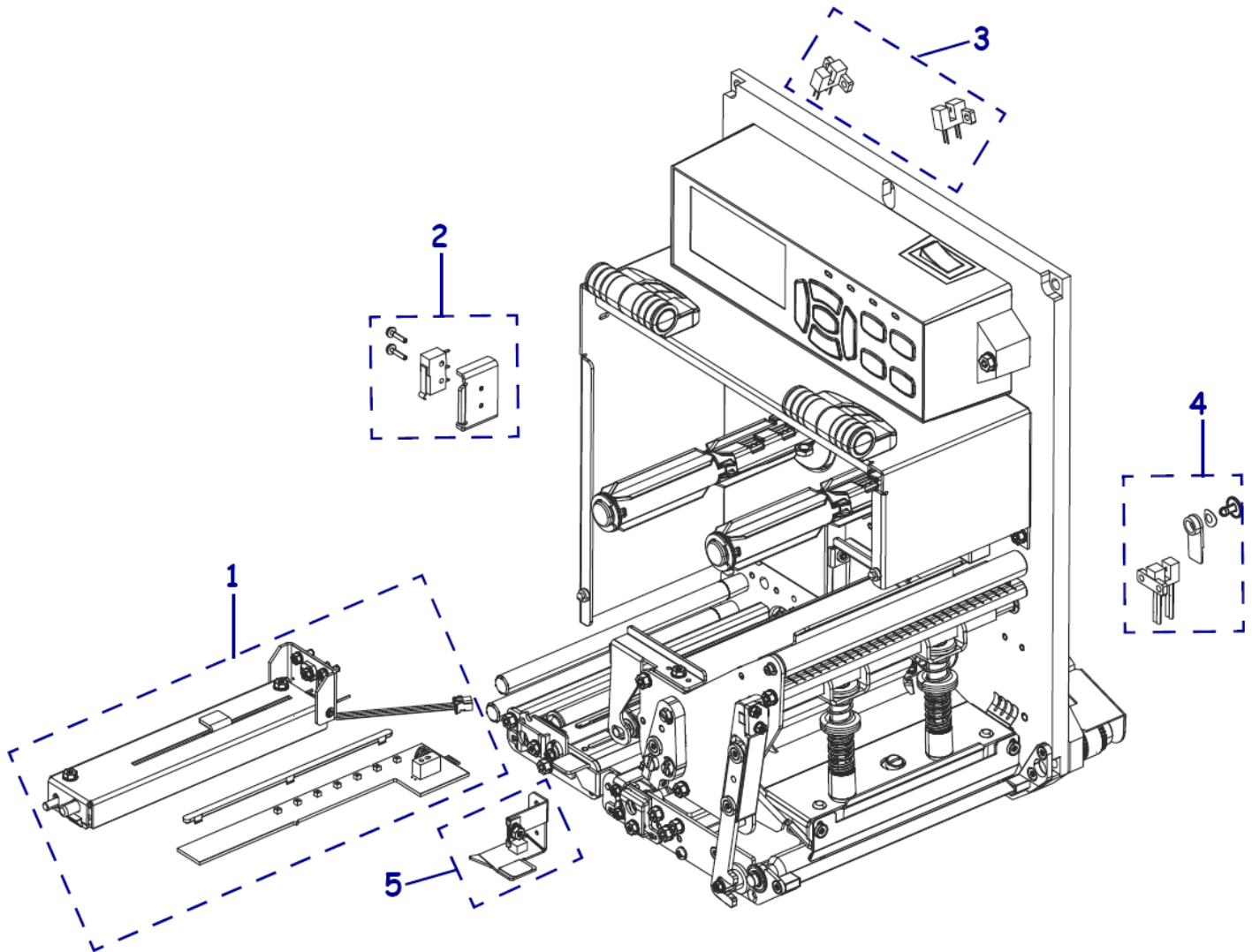
Item Number	Description	Part Number	Quantity
1	Platen, Pinch and Peel Rollers ZE511 RH & LH (includes one of each)	P1112750-039	1 set
1	Platen, Pinch and Peel Rollers ZE521 RH & LH (includes one of each)	P1112750-040	1 set

**Electronics**



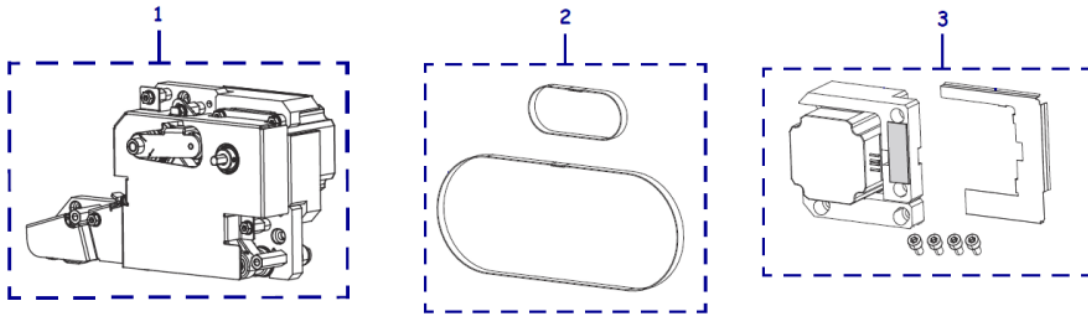
Item Number	Description	Part Number	Quantity
1	Power Supply ZE511 ZE521 RH & LH	P1112750-042	1
2	Main Logic Board ZE511 ZE521 RH & LH	P1112750-041	1
3	Wireless 802.11ac PrintServer, USA & Canada, ZE511 ZE521 RH & LH (includes magnetic antenna mount)	P1112750-045A	1
3	Wireless 802.11ac PrintServer, Japan, ZE511 ZE521 RH & LH (includes magnetic antenna mount)	P1112750-045B	1
3	Wireless 802.11ac PrintServer, All Countries except USA, Canada and Japan ZE511 ZE521 RH & LH (includes magnetic antenna mount)	P1112750-045C	1
4	Latch for Electronics Chassis ZE511 ZE521 RH & LH	P1046696-087	1
5	Applicator Interface PCBA ZE511 ZE521 RH & LH	P1112750-044	1
	Ribbon Motor Control PCBA ZE511 ZE521 RH & LH	P1112750-043	1
	Parallel Port Card ZE511 ZE521 RH & LH	P1083320-040	1
	Internal ZebraNet 10/100 PrintServer (Ethernet) ZE511 ZE521 RH & LH	P1083320-039	1
	RFID Module, USA & Canada, ZE511 ZE521 RH & LH	P1112750-046A	1
	RFID Module, Japan, ZE511 ZE521 RH & LH	P1112750-046B	1
	RFID Module, All Countries except USA, Canada and Japan ZE511 ZE521 RH & LH	P1112750-046C	1
	Replacement RFID Covers, Cables, etc..Hardware ZE511 & ZE521 RH & LH	P1112750-047	1
	Electronics Cables ZE511 ZE521 RH & LH (includes various power & data cables used throughout the printer)	P1112750-048	1
	Replacement Antenna for 802.11ac Wireless PrintServer	P1037974-053	1
	Replacement Magnetic Antenna Mount (Antenna not included)	39518M	1
	Slot Covers for Options ZE511 ZE521 RH & LH	P1112750-050	1
	Mounting Plates/Brackets for PCBAs (includes brackets for the MLB, Ribbon Motor PCBA & Applicator PCBA) ZE511 ZE521 RH & LH	P1112750-049	1

**Sensors**



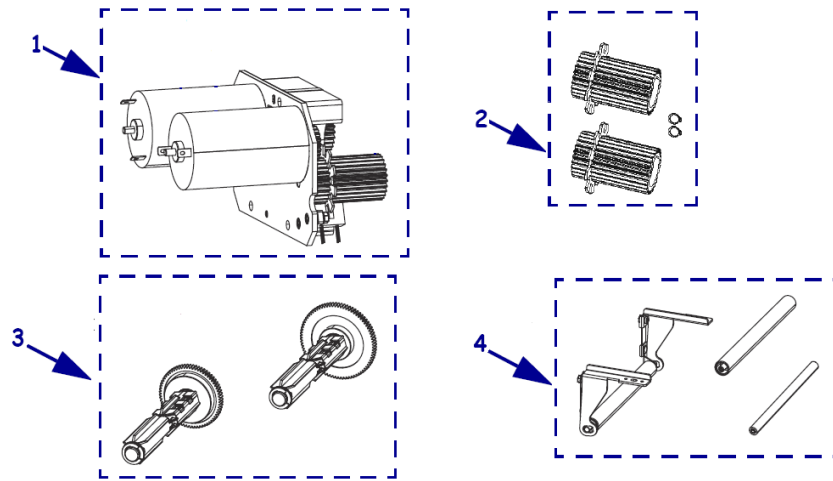
Item Number	Description	Part Number	Quantity
1	Media Sensor ZE511 RH	P1112750-051	1
1	Media Sensor ZE511 LH	P1112750-052	1
1	Media Sensor ZE521 RH	P1112750-053	1
1	Media Sensor ZE521 LH	P1112750-054	1
2	Media Door Open Sensor ZE511 ZE521 RH & LH	P1112750-055	1
3	Encoder Sensors for Ribbon Drive System ZE511 ZE521 RH & LH	P1112750-056	2
4	Printhead Open Sensor ZE511 ZE521 RH & LH	P1112750-057	1
5	Ribbon Sensor ZE511 ZE521 RH & LH	P1112750-058	1

**Media Drive System**



Item Number	Description	Part Number	Quantity
1	Media Drive System 203 dpi ZE511 ZE521 RH	P1112750-059	1
1	Media Drive System 300 dpi ZE511 ZE521 RH	P1112750-060	1
1	Media Drive System 203 dpi ZE511 ZE521 LH	P1112750-061	1
1	Media Drive System 300 dpi ZE511 ZE521 LH	P1112750-062	1
2	Media Drive Belts ZE511 ZE521 RH & LH	P1046696-146	2
2	Media Drive Motor ZE511 ZE521 RH	P1112750-088	1
3	Media Drive Motor ZE511 ZE521 LH	P1112750-089	1
	Couplers for Media Rollers ZE500 RH Series	P1046696-102	3
	Couplers for Media Rollers ZE500 LH Series	P1046696-103	3
	Media Drive Pulleys 203 dpi ZE500 Series.	P1046696-127	1
	Media Drive Pulleys 300 dpi ZE500 Series.	P1046696-128	1
	Hardware for Media Drive System ZE500 Series	P1046696-129	1
	Idler Pulleys ZE500 Series.	P1046696-130	5

**Ribbon Drive System**

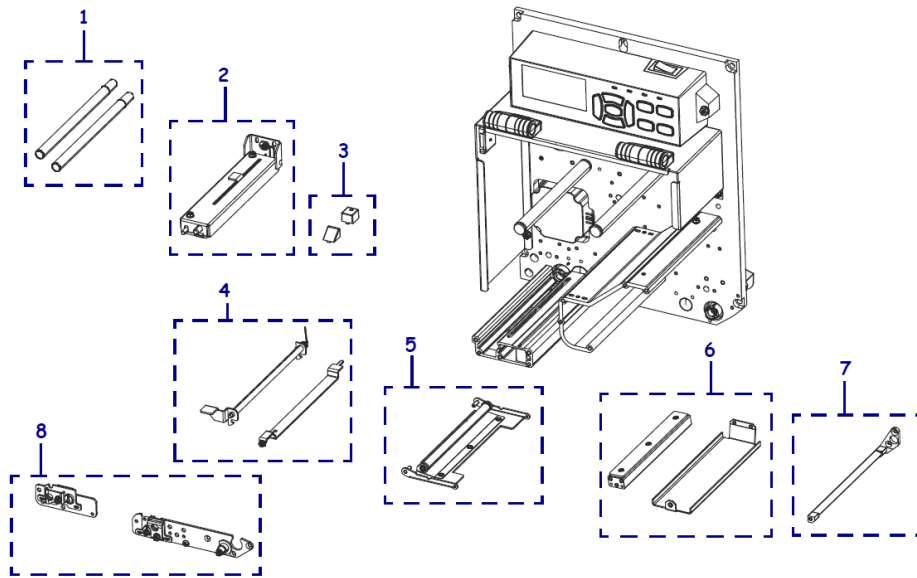


Item Number	Description	Part Number	Quantity
1	Ribbon Drive System ZE511 ZE521 RH	P1112750-082	1
1	Ribbon Drive System ZE511 ZE521 LH	P1112750-083	1
2	Drive Gears for Ribbon Spindles ZE511 ZE521 RH & LH	P1046696-040	2
	Mounting Hardware for Ribbon Drive System ZE511 ZE521 RH & LH	P1112750-084	1
3	Ribbon Spindles (Supply & Take-Up) ZE511 RH & LH	P1046696-037	2
3	Ribbon Spindles (Supply & Take-Up) ZE521 RH & LH	P1046696-038	2
	Shield for the Ribbon Take Up Spindle ZE511 ZE521 RH & LH	P1046696-131	1
4	Ribbon Rollers ZE511 RH & LH	P1112750-019	1
4	Ribbon Rollers ZE521 RH & LH	P1112750-020	1

**Covers for Media Drive System and Ribbon Spindles**

Item Number	Description	Part Number	Quantity
	Covers for Media Drive System & Ribbon Spindle Drive ZE511 ZE521 RH	P1046696-091	1
	Covers for Media Drive System & Ribbon Spindle Drive ZE511 ZE521 LH	P1046696-092	1

**Media Path Components**



Item Number	Description	Part Number	Quantity
1	Media Guide Posts ZE511 RH & LH	P1046696-053	2
1	Media Guide Posts ZE521 RH & LH	P1046696-054	2
2	Upper Segmented Pinch Roller Assembly ZE511 RH	P1046696-055	1
2	Upper Segmented Pinch Roller Assembly ZE511 LH	P1046696-056	1
2	Upper Segmented Pinch Roller Assembly ZE521 RH	P1046696-057	1
2	Upper Segmented Pinch Roller Assembly ZE521 LH	P1046696-058	1
3	Media Guides ZE511 ZE521 RH & LH	P1046696-061	1
4	Latch & Deflector ZE511 RH	P1046696-111	1
4	Latch & Deflector ZE511 LH	P1046696-112	1
4	Latch & Deflector ZE521 RH	P1046696-113	1
4	Latch & Deflector ZE521 LH	P1046696-114	1
5	Peel Bracket Assembly ZE511 RH & LH	P1112750-077	1
5	Peel Bracket Assembly ZE521 RH & LH	P1112750-078	1
	Screw for mounting the Peel Bracket Assembly Qty of 5	P1112750-081	5
6	Platen Support and Guard for Printhead ZE511 RH & LH	P1112750-065	1
6	Platen Support and Guard for Printhead ZE521 RH & LH	P1112750-066	1
7	Standard Length Peel Bar ZE511 RH & LH	P1046696-074	1
7	Standard Length Peel Bar ZE521 RH & LH	P1046696-075	1
7	Extended Length Peel Bar ZE511 RH & LH	P1112750-067	1
7	Extended Length Peel Bar ZE521 RH & LH	P1112750-068	1
8	Roller Plates ZE511 ZE521 RH	P1112750-079	1
8	Roller Plates ZE511 ZE521 LH	P1112750-080	1
	Cover for Print Mech Extrusion ZE511 ZE521 RH	P1046696-093	1
	Cover for Print Mech Extrusion ZE511 ZE521 LH	P1046696-094	1



**Packaging**

<b>Item Number</b>	<b>Description</b>	<b>Part Number</b>	<b>Quantity</b>
	Packaging for shipping the printer ZE511 RH & LH	P1112750-069	1
	Packaging for shipping the printer ZE521 RH & LH	P1112750-085	1

<b>Item Number</b>	<b>Description</b>	<b>Part Number</b>	<b>Quantity</b>
	Assorted Hardware (screws, washers, etc...) ZE511 ZE521 RH & LH	P1112750-070	1